

# HAMMER<sup>®</sup> STRENGTH

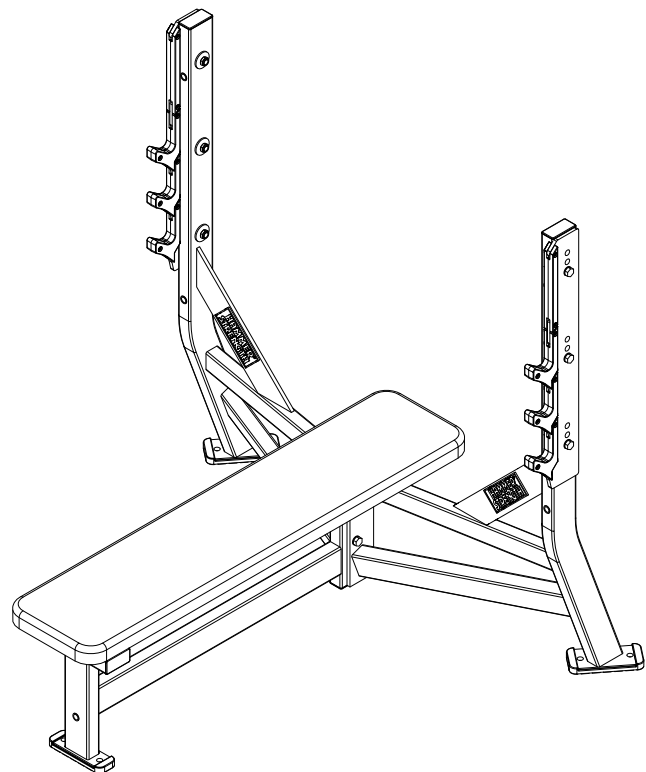
**HAMMER  
STRENGTH<sup>®</sup>**

**OLYMPIC**

**PARTS MANUAL**

**FLAT BENCH  
OFB & O-FB**

7/07/2020



# CONTENTS

COMPONENT ASSEMBLY .....	PAGE 3
BENCH FRAME ASSEMBLY .....	4
LEFT SIDE FRAME ASSEMBLY .....	5
RIGHT SIDE FRAME ASSEMBLY .....	6
GUN RACK ASSEMBLY .....	7

## **KEY**

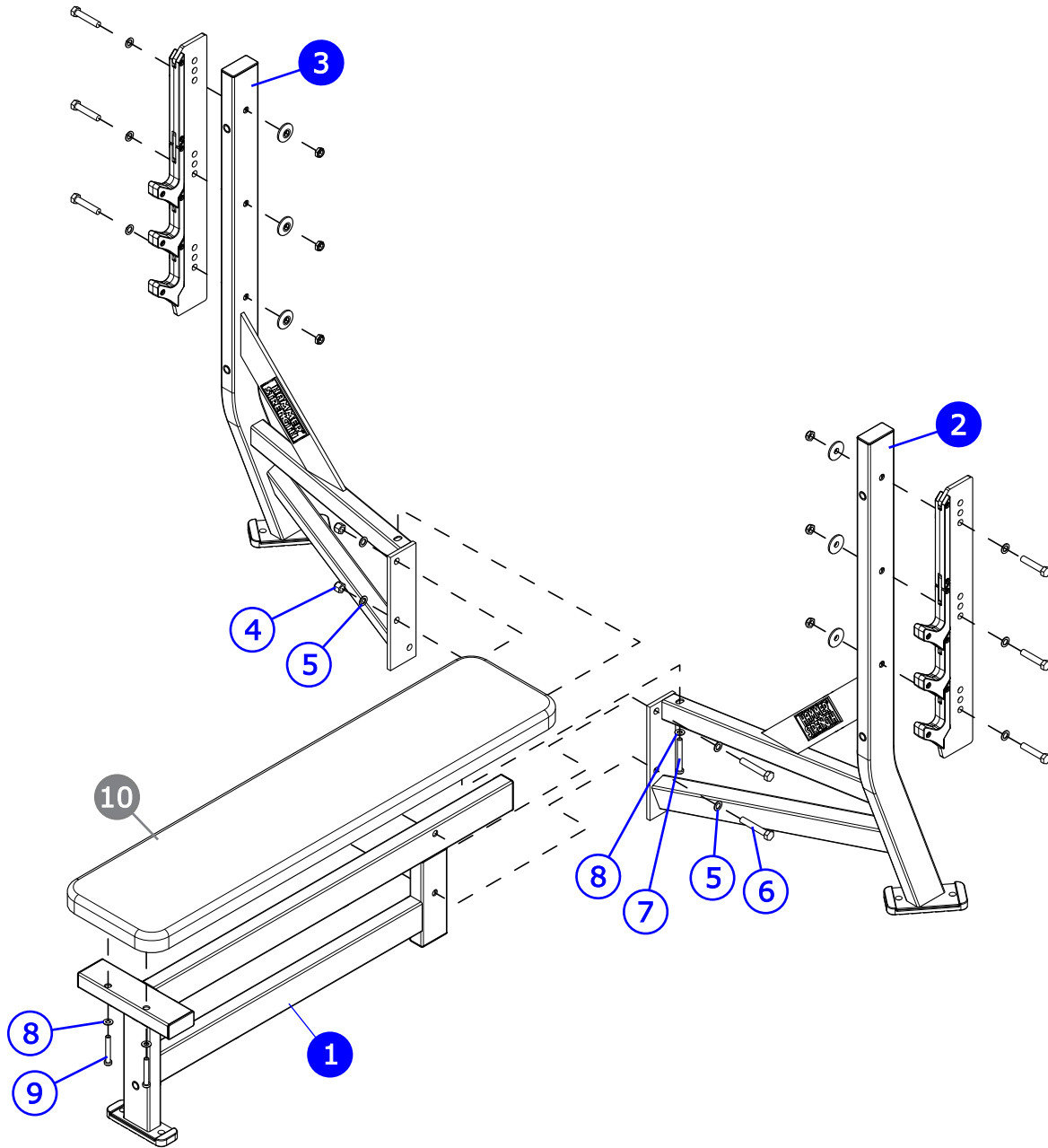
### UPHOLSTERY ① ② ③

Items with Gray call-outs require the upholstery color listed within the order notes. IE: Putty

### FRAME AND MOVEMENT ARM COLORS ① ② ③

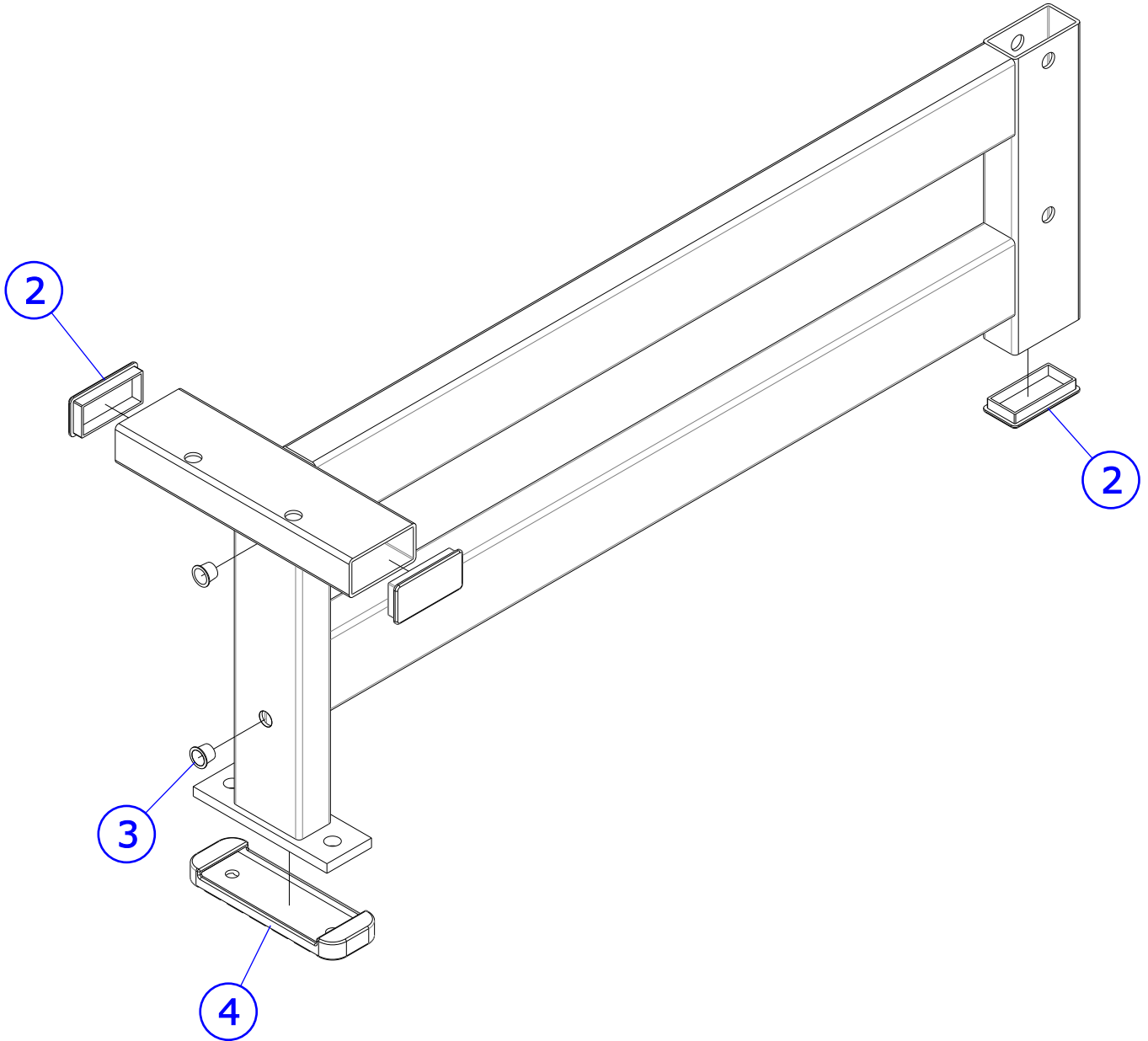
Items with Blue call-outs require the powder coat frame color to be listed within the order notes.

# COMPONENT ASSEMBLY



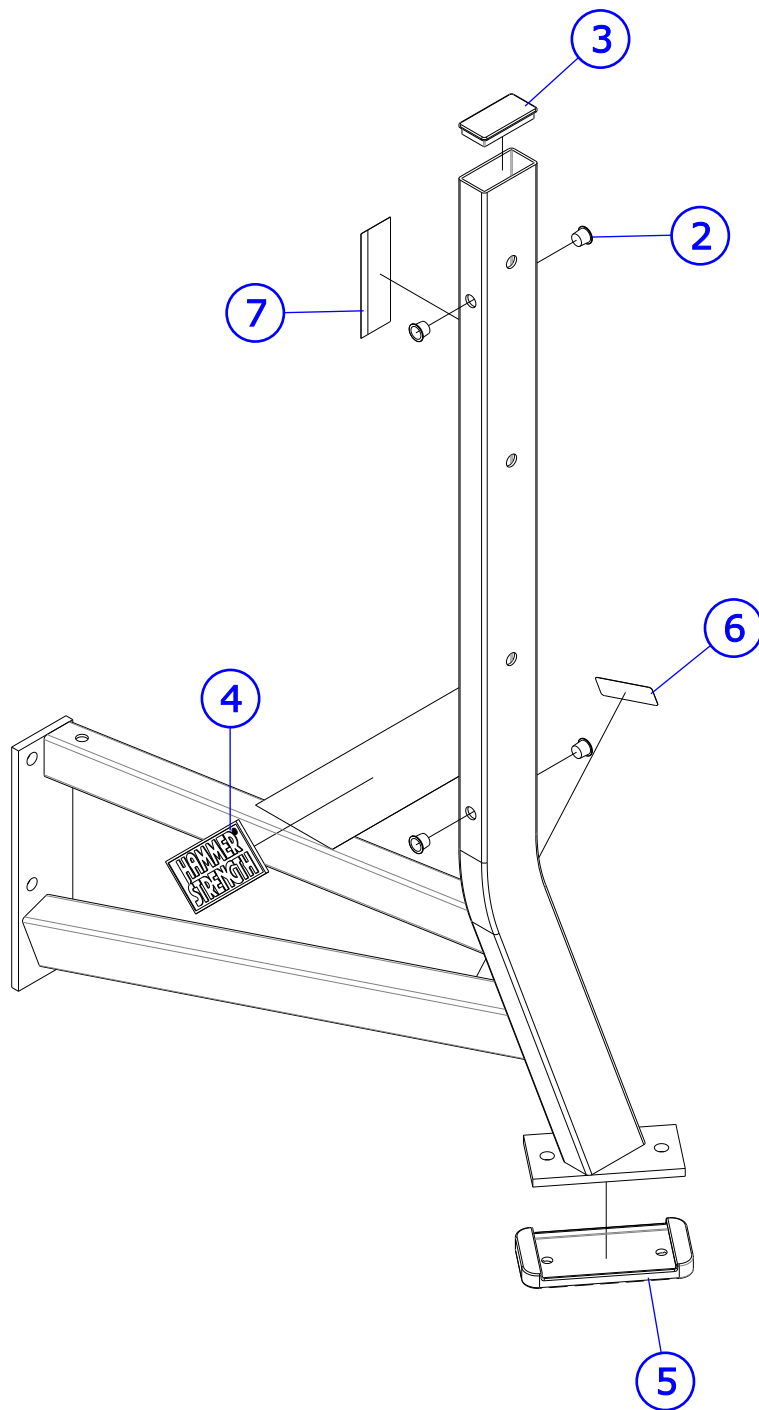
ITEM NO.	QTY.	PART NO.	DESCRIPTION
1	1	OFB-CST	ASSY, BENCH FRAME, OFB
2	1	OFB-CSFL	ASSY, SIDE FRAME, LEFT, OFB
3	1	OFB-CSFR	ASSY, SIDE FRAME, RIGHT, OFB
4	2	NUT.5LOCK	1/2 DIA THICK LOCK NUT
5	4	WASH.5STAR	1/2" INTERNAL LOCK WASHER
6	2	HHB.5X3	1/2 X 3 BOLT
7	2	3236213	SCREW, M10 X1.5 80MM
8	4	WASH.375SAE	3/8" SAE FLAT WASHER
9	2	3236210	SCREW, M10 X1.5 65MM
10	1		PAD, MOLDED 1217 X 264

# BENCH FRAME ASSEMBLY



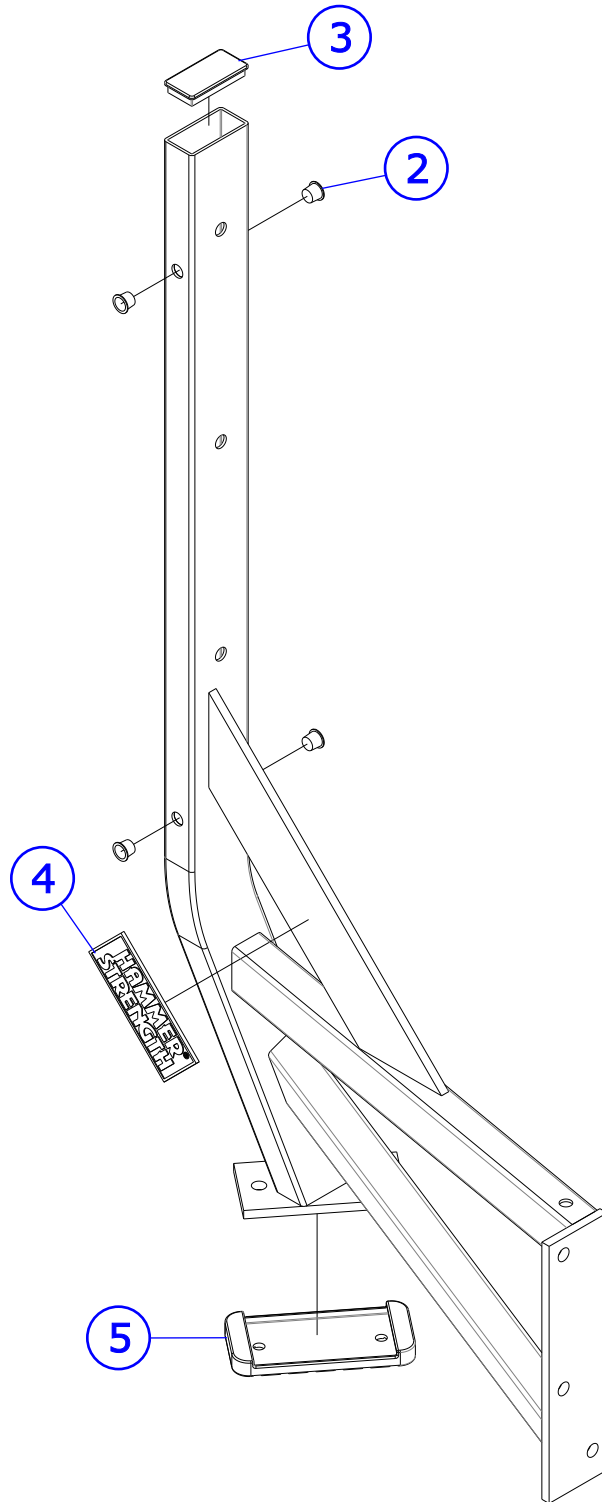
ITEM NO.	QTY.	PART NO.	DESCRIPTION
2	3	RC1530-1Q1	CAP:1-1/2 X 3 RECTANGLE PLUG
3	2	HPLUG (REG)	HOLE PLUG
4	1	MM-8	2 X 6 FLANGE RUBBER SLIPPER

# LEFT SIDE FRAME ASSEMBLY



ITEM NO.	QTY.	PART NO.	DESCRIPTION
2	4	H-PLUG (REG)	HOLE PLUG
3	1	RC1530-1Q1	CAP:1-1/2 X 3 RECTANGLE PLUG
4	1	H-NAMEPLATE	HAMMER STRENGTH BADGE
5	1	MM-9	3 X 6 FLANGE RUBBER SLIPPER
6	1	-	SERIAL NUMBER
7	1	8758401	FIXED BENCH WARNING DECAL

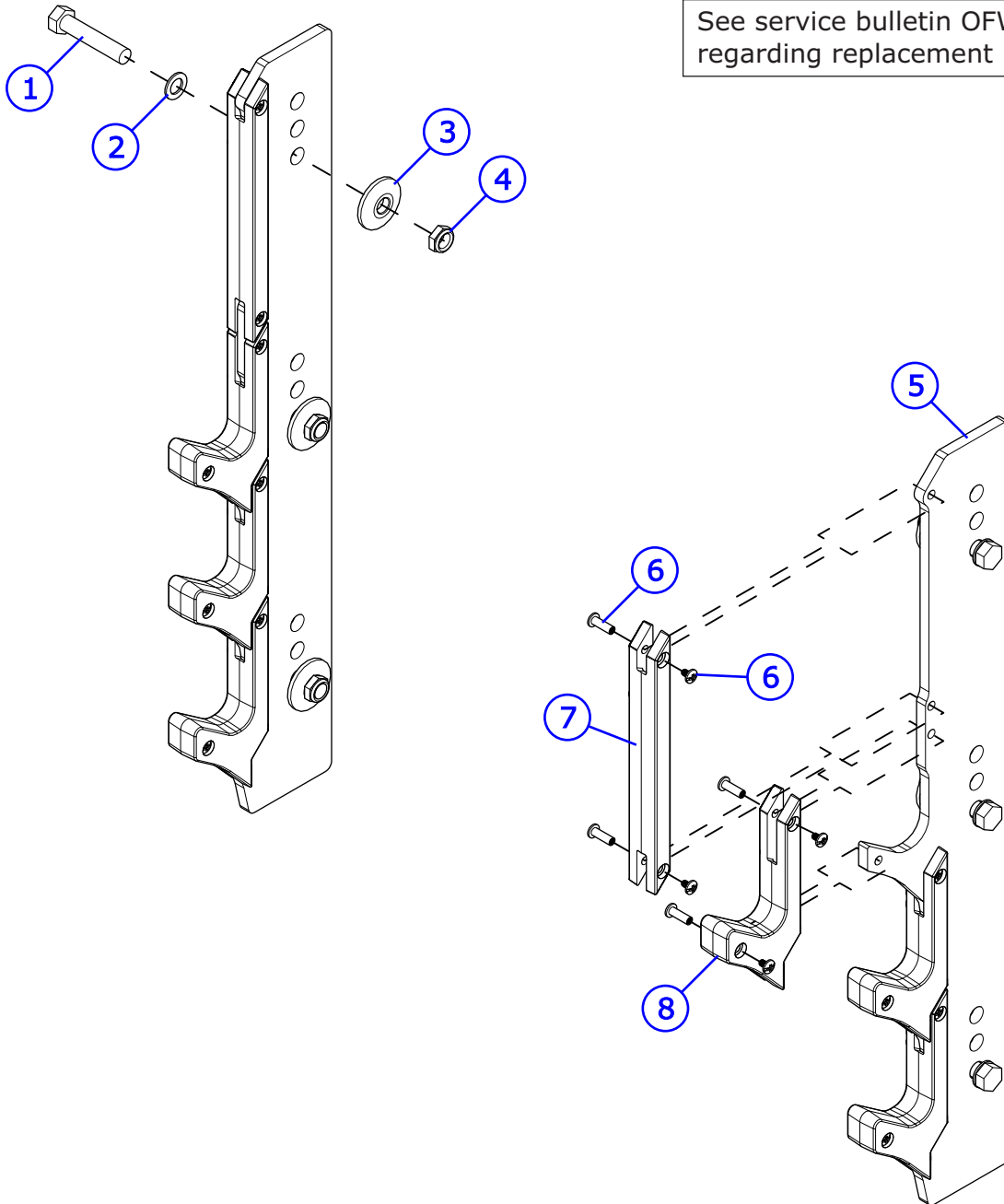
# RIGHT SIDE FRAME ASSEMBLY



ITEM NO.	QTY.	PART NO.	DESCRIPTION
2	4	H-PLUG (REG)	HOLE PLUG
3	1	RC1530-1Q1	CAP:1-1/2 X 3 RECTANGLE PLUG
4	1	H-NAMEPLATE	HAMMER STRENGTH BADGE
5	1	MM-9	3 X 6 FLANGE RUBBER SLIPPER

# GUN RACK ASSEMBLY - 1010184-0001

See service bulletin OFW18030501 regarding replacement kits



ITEM NO.	QTY.	PART NO.	DESCRIPTION
1	6	HHB.5X2.5	1/2 X 2-1/2 BOLT
2	6	WASH.5STAR	1/2 INTERNAL LOCK WASHER
3	6	H-BACK.WASH	BACKING WASHER
4	6	NUT.5JAMLOCK	1/2 THIN LOCK NUT
5	6	1003674-0093	PLATE, O-DB/O-FB/O-IB/O-MB, GUN RACK -HWG
6	16	1003822-0001	BINDING POST, 10-24
7	2	1010117-0001	GUARD: GUN RACK TOP
8	6	1010118-0001	GUARD: GUN RACK